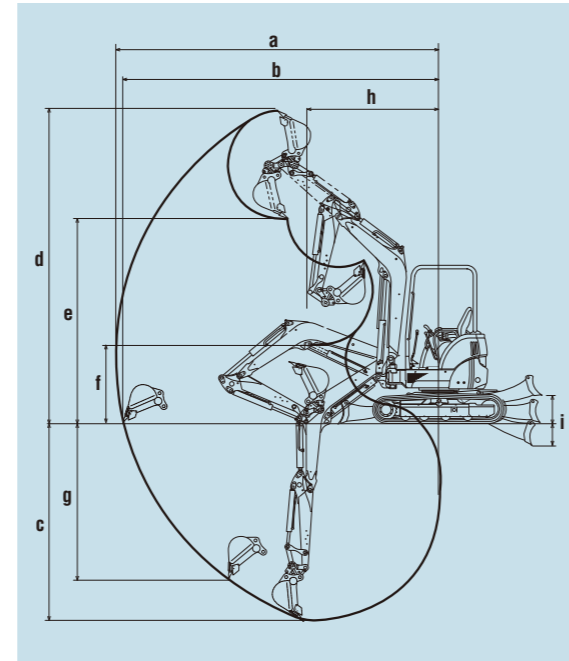


SPECIFICATIONS

GENERAL			
MODEL	SK20SR		
Type	SK20SR-5V		
PERFORMANCE			
Bucket Capacity	m ³	0.066	
Travel Speed (high/low)	km/h	4.4/2.2	
Swing Speed	min ⁻¹ (rpm)	9.5	
Gradeability	%(degree)	47 (30)	
Traction Force	kN	21.6	
Bucket Digging Force	kN	17.7	
Arm Crowding Force	kN	13.6	
WEIGHT			
Machine Mass	kg	2,155	
Ground Pressure	kPa	27.7	
Shoe Type	Rubber		
ENGINE			
Model	Yanmar 3TNV76-PBV		
Type	Water cooled, 4-cycle, 3-cylinder		
Power Output NET (ISO 9249) kW/min ⁻¹ (rpm)	14.3/2,400		
Max. Torque NET (ISO 9249) N-m/min ⁻¹ (rpm)	65.7/1,800		
Displacement	L	1.116	
Fuel Tank	L	28.5	
HYDRAULIC SYSTEM			
Pump	Two variable displacement pumps + one gear pump		
Max. Discharge Flow	L/min	3 x 21.6	
Relief Valve Setting	MPa	3 x 20.6	
Hydraulic Oil Tank (system)	L	30 (35)	
DOZER BLADE			
Width x Height	mm	1380 x 285	
Working Ranges (height/depth)	mm	360/340	
SIDE DIGGING MECHANISM			
Type	Boom swing		
Offset Angle	To the left	degree	47
	To the right	degree	75

WORKING RANGES



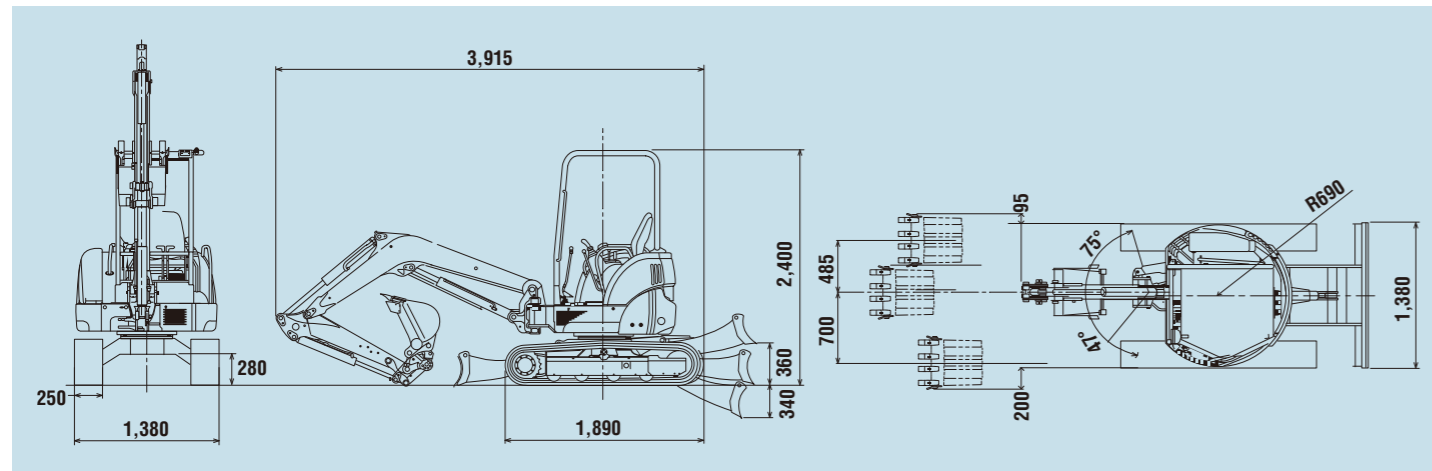
Unit: mm

MODEL	SK20SR	
a	Max. digging reach	4,140 (4,270)
b	Max. digging reach at ground level	4,030 (4,160)
c	Max. digging depth	2,300 (2,440)
d	Max. digging height	3,850 (4,000)
e	Max. dumping clearance	2,590 (2,450)
f	Min. dumping clearance	1,060 (970)
g	Max. vertical wall digging depth	1,920 (1,900)
h	Min. swing radius	1,800 (2,010)
	Min. swing radius at boom swing	1,510 (1,695)
i	Dozer blade (height/depth)	360/340

Figures in () show the value with Quick Hitch.

Unit: mm

GENERAL DIMENSIONS



OPTIONAL EQUIPMENT

- Steel shoe

Note: This catalog may contain attachments and optional equipment that are not available in your area. And it may contain photographs of machines with specifications that differ from those of machines sold in your areas. Please consult your nearest KOBELCO distributor for those items you require. Due to our policy of continuous product improvements all designs and specifications are subject to change without advance notice. Copyright by **KOBELCO CONSTRUCTION MACHINERY CO., LTD.** No part of this catalog may be reproduced in any manner without notice.

KOBELCO CONSTRUCTION MACHINERY CO., LTD.

17-1, Higashigotanda 2-chome, Shinagawa-ku, Tokyo 141-8626 JAPAN
 Tel: +81 (0) 3-5789-2146 Fax: +81 (0) 3-5789-2135
www.kobelco-kenki.co.jp/english_index.html

Inquiries To:

KOBELCO

SK20SR-5V

MINI EXCAVATOR SK20SR



We Save You Fuel
Achieving a Low-Carbon Society

Compact, Tough Performer

Mini excavators are widely used on sites where space is restricted, such as in residential areas and industrial premises. Users want big power in a small machine, stability in operation, and rugged construction and durability to reduce downtime. The SK20SR combines a compact design with wide digging reach for efficient performance, excellent maneuverability, and tough durability to ensure an extended working life.

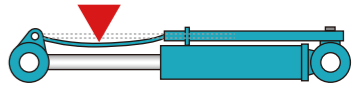
RELIABILITY

Reliable Construction

SK20SR has the durability needed in a machine that works in tight spaces.

Cylinder Rod Guard

The spring steel cylinder rod guard is standard for the bucket and arm cylinder. The use of spring steel not only protects the cylinder rod, but gives resiliency to the guard itself. The boom cylinder rod guard is also fitted as standard.



Boom cylinder rod guard

Arm cylinder rod guard

Bucket cylinder rod guard



Hydraulic piping

To prevent damage to the hydraulic hose, the hydraulic piping is housed inside the boom.



Work Light

Work light is mounted under the boom to protect from damage.



Dozer

Dozer cylinder rod guard protects dozer cylinder from damage.



Blade Cutting Edge

Backfill dozer blade has wear-resistant cutting edge.



Compact yet Big Performance

Short Tail Swing

The Combination of side-ditch digging function and zero tail radius makes it easy to dig next to walls with a compact operating footprint.



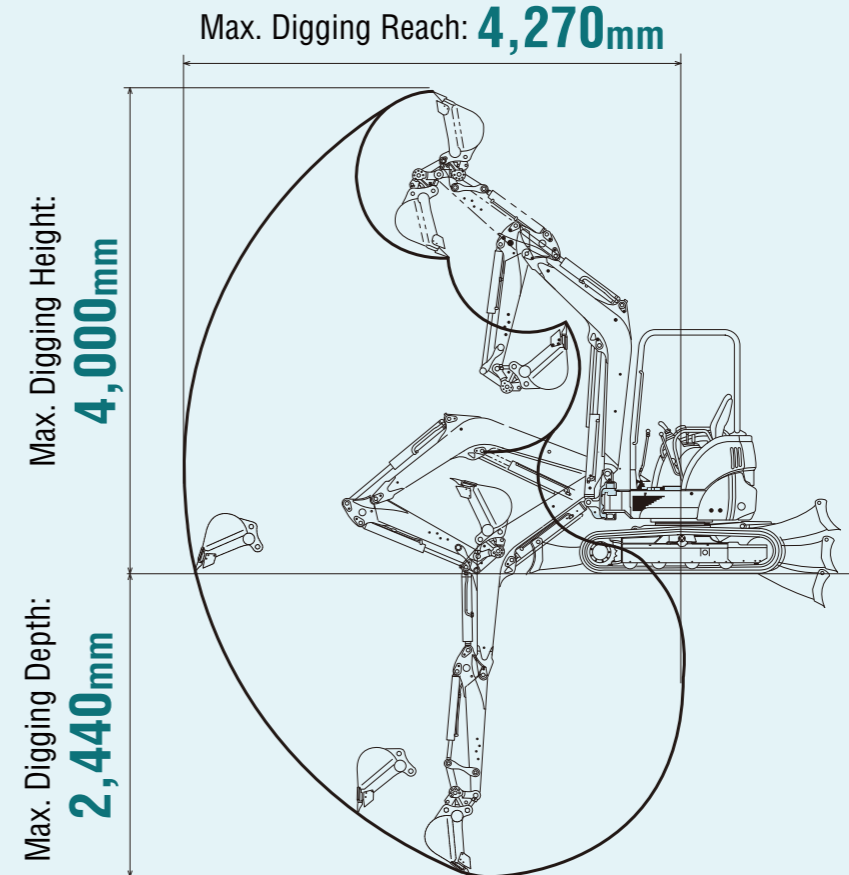
Asymmetric Crawlers

Asymmetric Crawlers increases footprint for more stability without the increase of machine width.



Wide Working Range

The SK20SR has plenty of working ranges, including top-class max. digging reach and max. digging depth.



Reliable Swing Power, Faster Working Speeds

Boosted swing power and a top-class swing speed deliver shorter cycle times.

Swing Speed: **9.5min⁻¹**

Powerful Digging

For more efficient work performance.

Max. Arm Crowding Force: **13.6kN**

Max. Bucket Digging Force: **17.7kN**

Easy Hydraulic Piping for Quick Hitch

Piping for Quick Hitch is fitted as standard. (Quick Hitch itself is standard for New Zealand.)



Control Pattern Changer

Control pattern changer allows for increased utilization and flexibility to match operator preference.



COMFORT

Comfortable Work Environment



Broader floor space gives operators plenty of foot room. Wide operational space is provided with more room between the left and right control consoles.

Walk-through

A clear left-to-right walk-through offers greater convenience for the operator.



Storage Compartment for Manuals

A handy compartment in the seat-back holds manuals and other documents.



Easy Access to Control Panel and Levers



Control panel

Engine throttle lever

Seat adjustment lever

Travel high/low select pedal

Wrist Rest

Wrist rests fitted on the each control lever box ensure fatigue-free operation.



Travel Pedal

The travel pedal simplifies simultaneous operations while the machine traveling.



Operator Safety

Reliable Canopy Structure

The four-support canopy meets ROPS and FOPS standards for greater operator safety.



Safety Lever Lock

Safety lever lock permits enter and exit only when the levers are disengaged to prevent accidental operation.



Travel Alarm

Travel Alarm is equipped as standard.

MAINTENANCE

Easy Maintenance

Easy Access to Engine Compartment

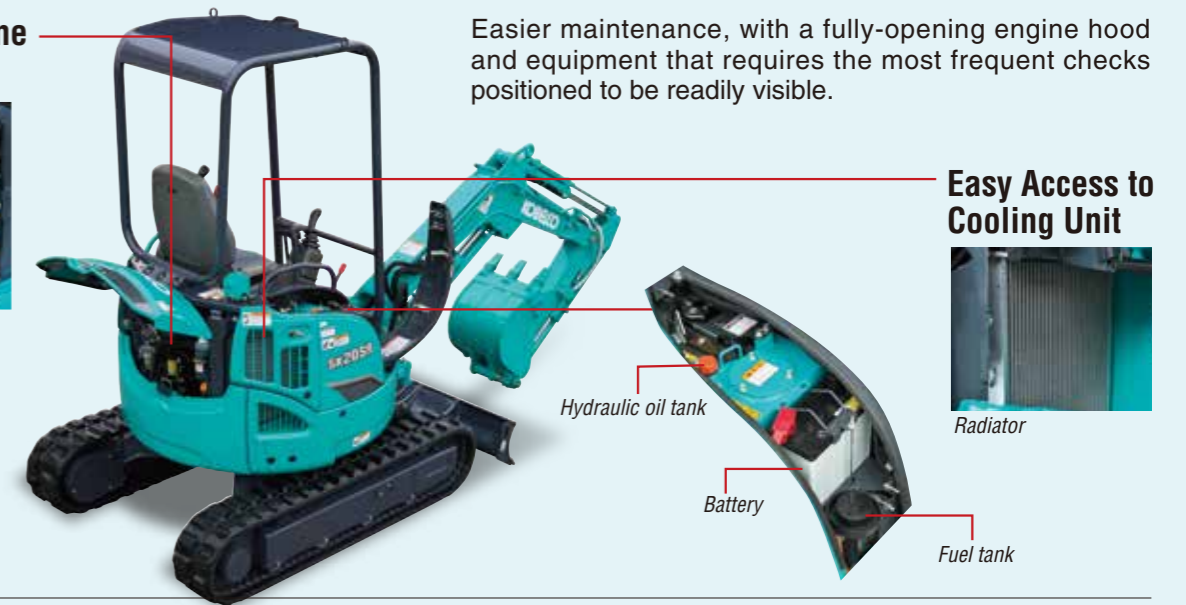


Water separator Fuel filter



Air cleaner

Easier maintenance, with a fully-opening engine hood and equipment that requires the most frequent checks positioned to be readily visible.



Easy Access to Cooling Unit



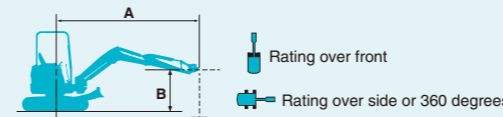
Radiator

Hydraulic oil tank

Battery

Fuel tank

LIFTING CAPACITIES



A: Reach from swing centerline to arm top
 B: Arm top height above/below ground
 C: Lifting capacities in kilograms
 Shoe: Rubber shoe Dozer blade: Up
 Relief valve setting: 20.6 MPa

Notes:

- Do not attempt to lift or hold any load that is greater than these lift capacities at their specified lift point radius and heights. Weight of all accessories must be deducted from the above lift capacities.
- Lift capacities are based on machine standing on level, firm, and uniform ground. User must make allowance for job conditions such as soft or uneven ground, out of level conditions, side loads, sudden stopping of loads, hazardous conditions, experience of personnel, etc.
- Arm top defined as lift point.
- The above lifting capacities are in compliance with ISO 10567. They do not exceed 87% of hydraulic lifting capacity or 75% of tipping load. Lifting capacities marked with an asterisk (*) are limited by hydraulic capacity rather than tipping load.
- Operator should be fully acquainted with the Operator's and Maintenance Instructions before operating this machine. Rules for safe operation of equipment should be adhered to at all times.
- Lift capacities apply to only machine as originally manufactured and normally equipped by KOBELCO CONSTRUCTION MACHINERY CO., LTD.

SK20SR	A	Bucket: Without Shoe: 250 mm					
		2.0 m		2.5 m		At Max. Reach	
		Rating over front	Rating over side or 360 degrees	Rating over front	Rating over side or 360 degrees	Rating over front	Rating over side or 360 degrees
2.0 m	kg	655	610	430	440	310	290
1.5 m	kg	650	560	485	425	295	260
1.0 m	kg	650	560	460	410	275	235
0.5 m	kg	640	545	460	385	275	235
G. L.	kg	610	535	440	385	280	245
-0.5 m	kg	610	535	440	385	310	275
-1.0 m	kg	650	535	445	395	385	350