

TURBOFARMER II

TF35.7-120

Merlo's all-new **Turbofarmer II telehandler** is compact in size and big on performance.

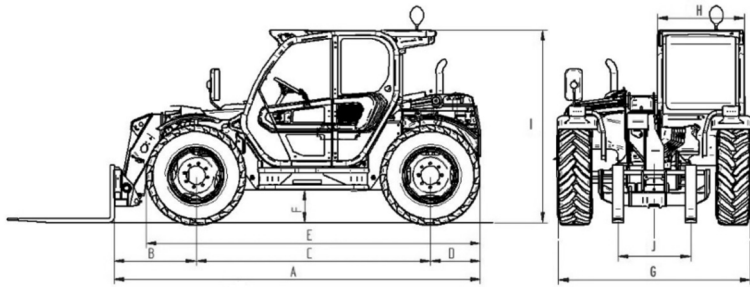


- **Fuel efficient** 120(HP) Tier 4 interim engine with CVTronic transmission
- 6.6m boom, 3.5 tonne load capacity and **20 tonne towing capability**
- **Load sensing hydraulics** and flow sharing pump
- Fully pressurised **1.1m wide cab**

SINCE 1964



MERLO
AUSTRALIA



DIMENSIONS

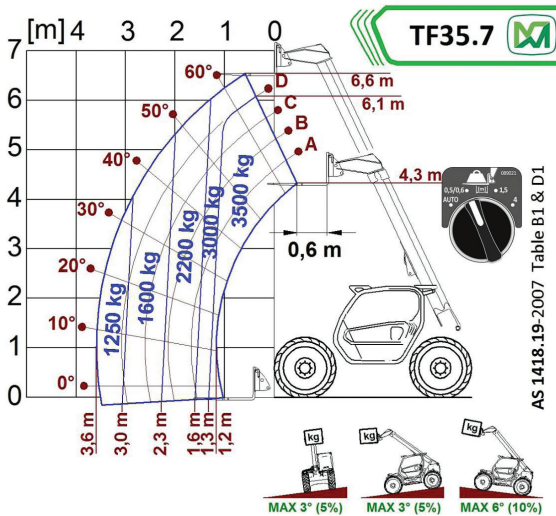
A (mm)	4315
B (mm)	990
C (mm)	2470
D (mm)	585
E (mm)	3910
F (mm)	380
G (mm)	2240
H (mm)	995
I (mm)	2240
J (mm)	850

PERFORMANCE

Unladen weight (kg)	6700
Maximum load capacity (kg)	3500
Maximum lift height (m)	6.6
Capacity at maximum height (kg)	3500
Maximum reach (m)	3.5
Capacity at maximum reach (kg)	1350
Mechanical PTO (540/1000)	optional

Working Times

Ascent (sec)	6.6
Descent (sec)	5.5
Extension (sec)	5
Retraction (sec)	3.3



STANDARD SPECIFICATIONS

Engine	
Turbo engine	Deutz Tier 4 Interim
Range/cylinders	3,6/4
Engine power (kW/HP)	90/122
Maximum speed (km/h)	40
Fuel tank capacity (l)	140
Transmission	
Hydrostatic Merlo transmission	EPD
Speeds	2
Dual reverse shuttle system	✓
Pedal inching-control	✓
Permanent four-wheel drive	✓
Brakes	
Automatic parking brake	✓
Tyres	
Standard tyres	405/70-24
Cab	
Air conditioned cabin	✓
Air suspension seat	✓
FOPS (ISO 3449) and ROPS (ISO 3471) cab	✓
Steering	
All wheel steering	✓
Instruments	
Electronic joystick control	✓
Merlo Dynamic Load Control (M-CDC)	✓
Hydraulic System-Implement	
LS Flow-sharing hydraulic system (bar-l/min)	210-125
BSS Hydro-pneumatic boom suspension	✓
Hydraulic oil tank capacity (l)	100
Fan drive pump (l/min)	46
Auxiliary hydraulic service on boom	✓
Dimensions	
Width (mm)	2240
Height (mm)	2250
Length (mm)	4315
Accessories & Attachments	
Tac-Lock attachment locking	✓
Two floating forks	✓
Standard forks	✓
Fork extensions	optional
Digging bucket	optional
Re-handling bucket	optional
4 x 1 bucket	optional
Multipurpose bucket with grab	optional
Crane hook	optional
Reduced height crane jib	optional
Drum clamp	optional
Forks with slide protection	optional
Handler for single round bale	optional

Merlo Group Australia

120-124 Toongabbie Road Girraween 2145 NSW Australia

For further information please call **1300 657 325** or visit merloaustralia.com.au



Merlo reserves the right to modify and update the contents of this document at any time. Information and technical data are as available at time of printing.

For current information on Merlo products please contact your Merlo dealer.
 ABN 87116110751 **MER-TF35.7-2016**