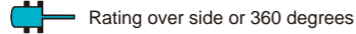
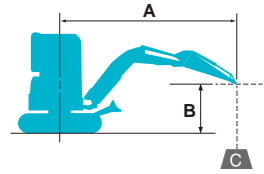


LIFTING CAPACITIES



A: Reach from swing centerline to arm top
 B: Arm top height above/below ground
 C: Lifting capacities in kilograms
 Shoe: Rubber shoe Dozer blade: Up
 Relief valve setting: 23.0 MPa

SK45SRX Cab		Arm: 1.55 m, Bucket: Without Rubber shoe: 400 mm								
B	A	1.0 m	2.0 m	3.0 m	4.0 m	5.0 m	At Max. Reach		Radius	
		4.0 m	kg							*860
3.0 m	kg			*1,170	*1,170	990	830	770	650	4.64 m
2.0 m	kg			1,520	1,240	960	800	680	570	4.97 m
1.0 m	kg			1,420	1,150	920	770	660	550	5.04 m
G. L.	kg		*1,390	*1,390	1,380	1,110	900	740	680	4.86 m
-1.0 m	kg	*2,010	*2,010	*2,700	2,170	1,380	1,110	890	740	4.40 m
-2.0 m	kg		2,970	2,230	1,410	1,140		1,110	920	3.50 m

SK45SRX Cab		Arm: 1.55 m, Bucket: Without Rubber shoe: 400 mm Add-on Counterweight (250 kg)								
B	A	1.0 m	2.0 m	3.0 m	4.0 m	5.0 m	At Max. Reach		Radius	
		4.0 m	kg							*860
3.0 m	kg			*1,170	*1,170	1,130	950	*780	750	4.64 m
2.0 m	kg			*1,720	1,420	1,100	920	780	660	4.97 m
1.0 m	kg			1,630	1,330	1,060	890	770	650	5.04 m
G. L.	kg		*1,390	*1,390	1,590	1,290	1,040	860	790	4.86 m
-1.0 m	kg	*2,010	*2,010	*2,700	2,500	1,590	1,290	1,030	860	4.40 m
-2.0 m	kg		*3,010	2,560	1,620	1,320		1,280	1,060	3.50 m

SK45SRX Canopy		Arm: 1.55 m, Bucket: Without Rubber shoe: 400 mm								
B	A	1.0 m	2.0 m	3.0 m	4.0 m	5.0 m	At Max. Reach		Radius	
		4.0 m	kg							*860
3.0 m	kg			*1,170	*1,170	960	800	740	630	4.64 m
2.0 m	kg			1,470	1,200	930	780	650	550	4.97 m
1.0 m	kg			1,380	1,120	890	740	630	530	5.04 m
G. L.	kg		*1,390	*1,390	1,330	1,080	870	720	660	4.86 m
-1.0 m	kg	*2,010	*2,010	*2,700	2,100	1,330	1,080	860	710	4.40 m
-2.0 m	kg		2,870	2,160	1,360	1,100		1,080	890	3.50 m

SK45SRX Canopy		Arm: 1.55 m, Bucket: Without Rubber shoe: 400 mm Add-on Counterweight (250 kg)								
B	A	1.0 m	2.0 m	3.0 m	4.0 m	5.0 m	At Max. Reach		Radius	
		4.0 m	kg							*860
3.0 m	kg			*1,170	*1,170	1,100	930	*780	730	4.64 m
2.0 m	kg			1,680	1,380	1,070	900	760	640	4.97 m
1.0 m	kg			1,590	1,300	1,030	860	740	630	5.04 m
G. L.	kg		*1,390	*1,390	1,540	1,260	1,000	840	760	4.86 m
-1.0 m	kg	*2,010	*2,010	*2,700	2,440	1,540	1,250	1,000	840	4.40 m
-2.0 m	kg		*3,010	2,490	1,570	1,280		1,240	1,030	3.50 m

SK55SRX Cab		Arm: 1.69 m, Bucket: Without Rubber shoe: 400 mm								
B	A	1.0 m	2.0 m	3.0 m	4.0 m	5.0 m	At Max. Reach		Radius	
		5.0 m	kg							*1,040
4.0 m	kg				*930	*930	970	820	4.47 m	
3.0 m	kg				*1,000	970	800	680	780	5.07 m
2.0 m	kg			*1,620	1,430	1,110	930	790	660	5.37 m
1.0 m	kg			1,630	1,320	1,070	880	770	640	5.43 m
G. L.	kg		*1,250	*1,250	1,580	1,270	1,030	850	760	5.27 m
-1.0 m	kg	*2,080	*2,080	*2,580	2,480	1,580	1,270	1,020	840	4.85 m
-2.0 m	kg	*3,210	*3,210	*3,360	2,530	1,600	1,290	1,050	860	4.09 m
-3.0 m	kg		*1,590	*1,590				*1,190	*1,190	2.52 m

SK55SRX Cab		Arm: 1.69 m, Bucket: Without Rubber shoe: 400 mm Add-on Counterweight (250 kg)								
B	A	1.0 m	2.0 m	3.0 m	4.0 m	5.0 m	At Max. Reach		Radius	
		5.0 m	kg							*1,040
4.0 m	kg				*930	*930	1,000	920	4.47 m	
3.0 m	kg				*1,000	*1,000	910	770	890	5.07 m
2.0 m	kg			*1,620	1,600	*1,220	1,050	890	760	5.37 m
1.0 m	kg			1,840	1,500	1,200	1,000	870	740	5.43 m
G. L.	kg		*1,250	*1,250	1,790	1,450	1,170	970	860	5.27 m
-1.0 m	kg	*2,080	*2,080	*2,580	*2,580	1,790	1,450	1,160	970	4.85 m
-2.0 m	kg	*3,210	*3,210	*3,360	2,860	1,810	1,470	1,180	990	4.09 m
-3.0 m	kg		*1,590	*1,590				*1,190	*1,190	2.52 m

SK55SRX Canopy		Arm: 1.69 m, Bucket: Without Rubber shoe: 400 mm								
B	A	1.0 m	2.0 m	3.0 m	4.0 m	5.0 m	At Max. Reach		Radius	
		5.0 m	kg							*1,040
4.0 m	kg				*930	*930	940	790	4.47 m	
3.0 m	kg				*1,000	950	760	640	730	5.07 m
2.0 m	kg			*1,620	1,390	1,080	900	770	640	5.37 m
1.0 m	kg			1,590	1,280	1,030	860	750	620	5.43 m
G. L.	kg		*1,250	*1,250	1,530	1,240	1,000	830	730	5.27 m
-1.0 m	kg	*2,080	*2,080	*2,580	2,410	1,530	1,230	990	820	4.85 m
-2.0 m	kg	*3,210	*3,210	*3,360	2,460	1,560	1,260	1,010	840	4.09 m
-3.0 m	kg		*1,590	*1,590				*1,190	*1,190	2.52 m

SK55SRX Canopy		Arm: 1.69 m, Bucket: Without Rubber shoe: 400 mm Add-on Counterweight (250 kg)								
B	A	1.0 m	2.0 m	3.0 m	4.0 m	5.0 m	At Max. Reach		Radius	
		5.0 m	kg							*1,040
4.0 m	kg				*930	*930	1,000	900	4.47 m	
3.0 m	kg				*1,000	*1,000	880	750	860	5.07 m
2.0 m	kg			*1,620	1,570	*1,220	1,020	870	740	5.37 m
1.0 m	kg			1,790	1,460	1,170	980	850	720	5.43 m
G. L.	kg		*1,250	*1,250	1,740	1,410	1,140	950	830	5.27 m
-1.0 m	kg	*2,080	*2,080	*2,580	*2,580	1,740	1,410	1,130	940	4.85 m
-2.0 m	kg	*3,210	*3,210	*3,360	2,790	1,770	1,430	1,150	960	4.09 m
-3.0 m	kg		*1,590	*1,590				*1,190	*1,190	2.52 m

- Notes:**
- Do not attempt to lift or hold any load that is greater than these lift capacities at their specified lift point radius and heights. Weight of all accessories must be deducted from the above lift capacities.
 - Lift capacities are based on machine standing on level, firm, and uniform ground. User must make allowance for job conditions such as soft or uneven ground, out of level conditions, side loads, sudden stopping of loads, hazardous conditions, experience of personnel, etc.
 - Arm top defined as lift point.
 - The above lifting capacities are in compliance with ISO 10567. They do not exceed 87% of hydraulic lifting capacity or 75% of tipping load. Lifting capacities marked with an asterisk (*) are limited by hydraulic capacity rather than tipping load.
 - Operator should be fully acquainted with the Operator's and Maintenance Instructions before operating this machine. Rules for safe operation of equipment should be adhered to at all times.
 - Lift capacities apply to only machine as originally manufactured and normally equipped by KOBELCO CONSTRUCTION MACHINERY CO., LTD.

Note: This catalog may contain attachments and optional equipment that are not available in your area. And it may contain photographs of machines with specifications that differ from those of machines sold in your areas. Please consult your nearest KOBELCO distributor for those items you require. Due to our policy of continuous product improvements all designs and specifications are subject to change without advance notice. Copyright by KOBELCO CONSTRUCTION MACHINERY CO., LTD. No part of this catalog may be reproduced in any manner without notice.

KOBELCO CONSTRUCTION MACHINERY CO., LTD.

17-1, Higashigotanda 2-chome, Shinagawa-ku, Tokyo 141-8626 JAPAN
 Tel: +81 (0) 3-5789-2146 Fax: +81 (0) 3-5789-2135
www.kobelco-kenki.co.jp/english_index.html

Inquiries To:

SK45SRX/SK55SRX-ANZ-101-140703 IF

KOBELCO

SK45SRX-6/SK55SRX-6

MINI EXCAVATORS SK45SRX SK55SRX

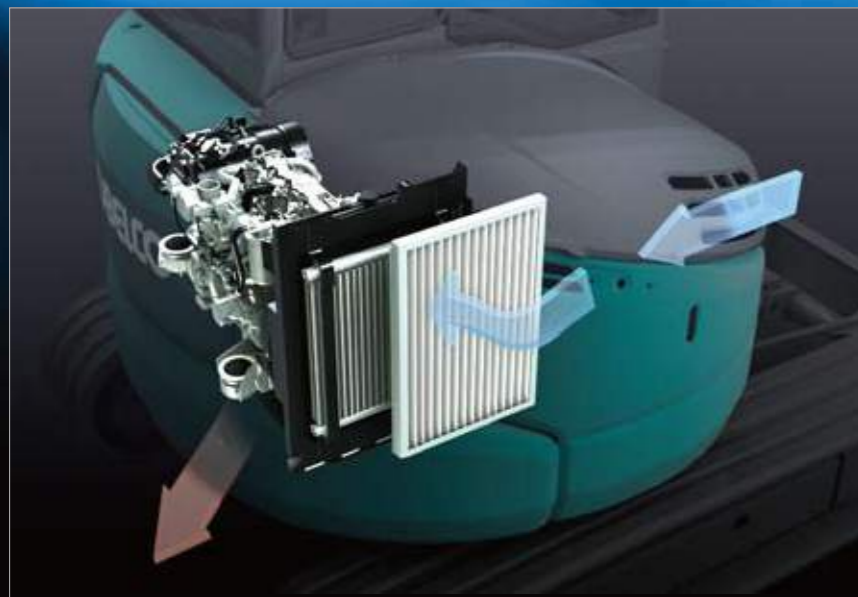


We Save You Fuel
 Achieving a Low-Carbon Society

Full-Size Performance, Short-Radius Agility and Quiet Operation

COMPACT YET TOUGH MINI

Now KOBELCO has taken the next evolutionary step by packing even more digging power and practical performance features into the SK45SRX/SK55SRX while maintaining a short tail swing. The new Energy Conservation Mode saves even more fuel, and Kobelco's proprietary iNDr Cooling System ensures quiet operation, protection from dust, and easy maintenance. For greater operator comfort and safety, the rectangular cab design offers plenty of room and an unobstructed view. It all adds up to enhanced full-size performance, short-radius agility and a low-noise environment, with exceptional performance features and a full range of value-added functions.



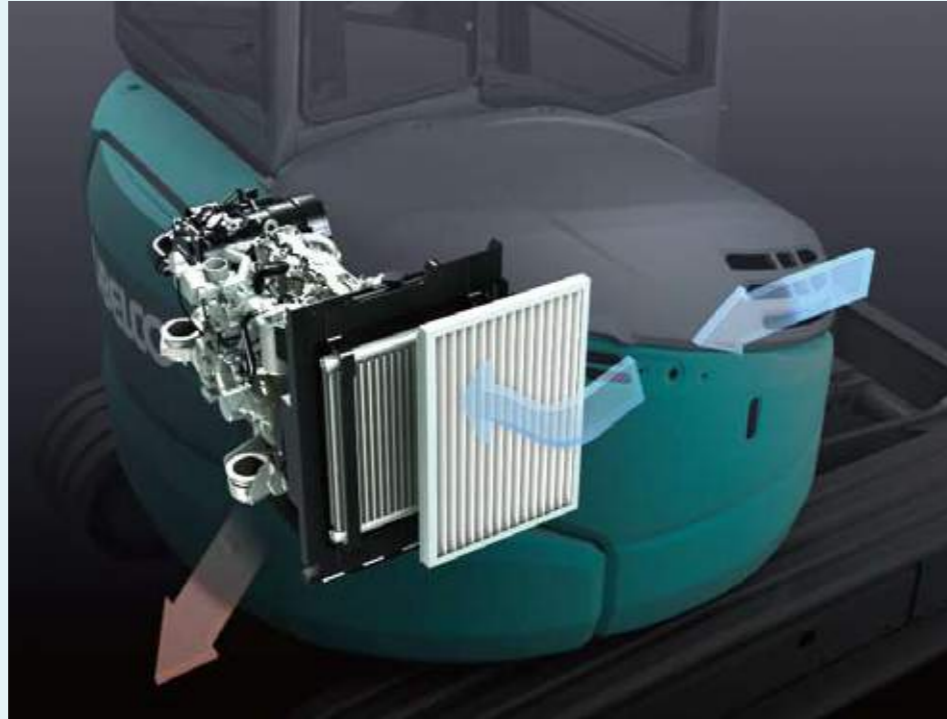
ENVIRONMENT

iNDr Cooling System

The Revolutionary Integrated Noise and Dust Reduction Cooling System



The highly airtight engine compartment and the offset duct contribute to noise reduction. The iNDr filter fitted in front of the cooling system ensures easy cleaning. The iNDr system on the SK45SRX/SK55SRX features air intake at the front of the machine and air exhaust underneath. It functions in the same way as the iNDr System on the SR series machines.



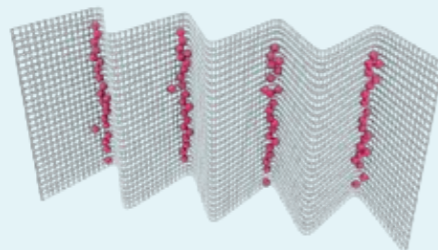
Visual Checking and Easy Cleaning

Because the iNDr filter removes dust from the intake air, cooling components stay dirt-free and do not require regular cleaning. The iNDr filter itself can be easily removed and cleaned without the use of tools.



iNDr Filter

The stainless-steel filter is extremely effective against dust, with 30-mesh wave-type screen that removes tiny dust particles from the intake air.



•30-mesh means that there are 30 holes formed by horizontal and vertical wires in every square inch of filter.

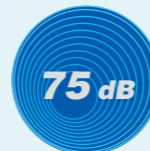
iNDr Filter Blocks Out Dust

Outside air goes directly from the intake duct through the iNDr filter for dust removal.



Ultimate Low Noise

KOBELCO's exclusive iNDr Cooling System delivers amazingly quiet operation. In fact, the SK45SRX/SK55SRX is 9 dB quieter than the previous models.



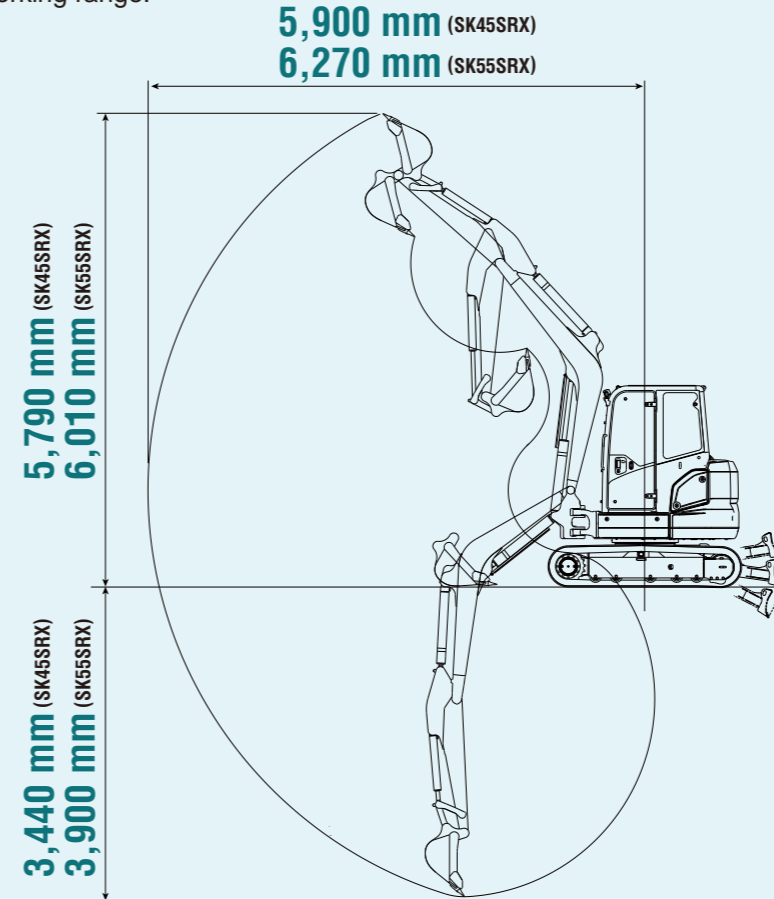
at 1 m backward from machine rear end and 1.5 m height from ground level.

PERFORMANCE

Compact, yet, Big Performance

Wide Working Range

A larger boom and arm are provided as standard equipment to ensure a wider working range.



Short Tail Swing

The compact tail swing improves operating efficiency in limited space.

Tail overhang:
190 mm
(290 mm)*



*Figure shows the value of SK45SRX/SK55SRX with add-on counterweight.

Energy Conservation Mode

The SK45SRX/SK55SRX adapts S mode which enables 23 % less fuel consumption compared with H mode.



One Touch Deceleration

The SK45SRX/SK55SRX features one-touch deceleration. It allows easy switching to an idling state, reducing the fuel consumption while the machine is at rest.



Easy Transportability

With an overall height of 2,530 mm, the machine is designed for easy transport.

PERFORMANCE

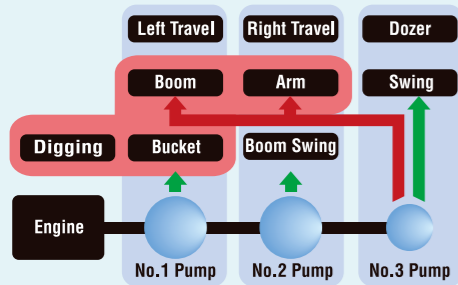
Fast, Full-Powered Digging and Leveling

Powerful Digging Performance



Integrated-Flow Pump System

The instant the machine begins to dig, extra output from the third pump (which otherwise powers the swing and dozer circuit) is directed to the arm circuit and boom circuit (raise) for added power. This ensures fast and smooth arm and boom raising operation even under heavy loads.



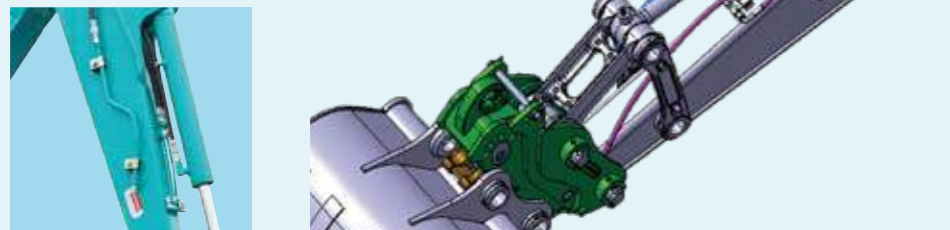
Large Capacity Engine

The large-capacity engine packs plenty power for outstanding hydraulic performance.



Easy Hydraulic Piping for Quick Hitch

Quick Hitch is available as option. Piping for Quick Hitch is fitted as standard.



More Travel Power

Large Capacity Travel Torque

The large capacity travel torque enables the machine to perform spin turn in low mode even when the dozer is pushing a heavy load.

Automatic Two-Speed Travel

An automatic shift function ensures smoother, more efficient travel on worksite. When the High mode is selected, the travel system will automatically shift to Low mode whenever the load or climbing grades requires more power.

Travel Switch

The travel lever is fitted with a button for easy switching to H-Mode travel.



Powerful and Efficient Dozer Performance

Dozer-Blade Shape

KOBELCO's unique blade design solves this problem by forming the earth into an arc that always falls forward. Because this prevents earth from falling behind the blade, only "one pass" is needed.



Hydraulic Pilot-Controlled Dozer Operation Lever



The dozer lever features hydraulic pilot control for precise handling.

MAINTENANCE

Easy Daily Maintenance

Start-up checks are essential for safe and reliable machine operation. All start-up checks can be performed at ground level, with an easy-to-understand layout and cover design that simplify access and save time.

Easy Access to Component Under the Seat

Two-piece floor mats for easy washing Hour meter



Model: SK45SRX



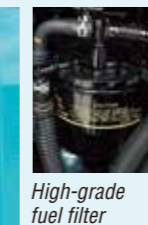
Model: SK55SRX

Easy Access to Cooling Unit



Fuel tank

Easy Access to Engine Compartment



High-grade fuel filter



Pre fuel filter with built-in water separator



Air cleaner



COMFORT

Comfortable Work Environment

Spacious Work Environment

The newly designed, rectangular cab is over 820 mm wide, with optimized control layout for comfortable, easy operation. A greater window area further improves visibility. A clear view is provided at the rear, and there's also more floor space, with a seat that slides further to ensure plenty of leg room.



Easy Access

A wide-opening door and a left-hand tilting control console with safety lever that rises high, make it easy for operators to enter and exit the cab.



Work Light



Working light is mounted under the boom to protect from damage.

Skylight



Control Lever

Precise proportional controls (optional) are integrated into the joystick for ease of operation.



Pattern Changer

Pattern changer allows for increased utilization and flexibility to match operator preference.

Pattern Changer is standard fitting for Australia. Another pattern changer is provided for New Zealand.



Color Liquid Crystal Monitor

The color liquid crystal monitor is fitted as standard. Operation data as well as the full range of machine-status data can readily be checked.



Maintenance



Working hours

Comfortable Operating Environment

Hammer for emergency exit



Climate control

The climate control system is located down and to the right of the seat, keeping the rear view clear.



Vents to send cooled air toward the operator if he desires.



Opening/closing front window

The front window features gas damper cylinders for smooth and easy opening and closing.



Coat hook



Room light



Two-speaker FM/AM radio with station select (optional)



Operator Safety

Reliable Cab/Canopy Structure

The high-strength cab/canopy meets ROPS and TOP GUARD LEVEL 1 standards for greater operator safety.



RELIABILITY

Reliable Construction

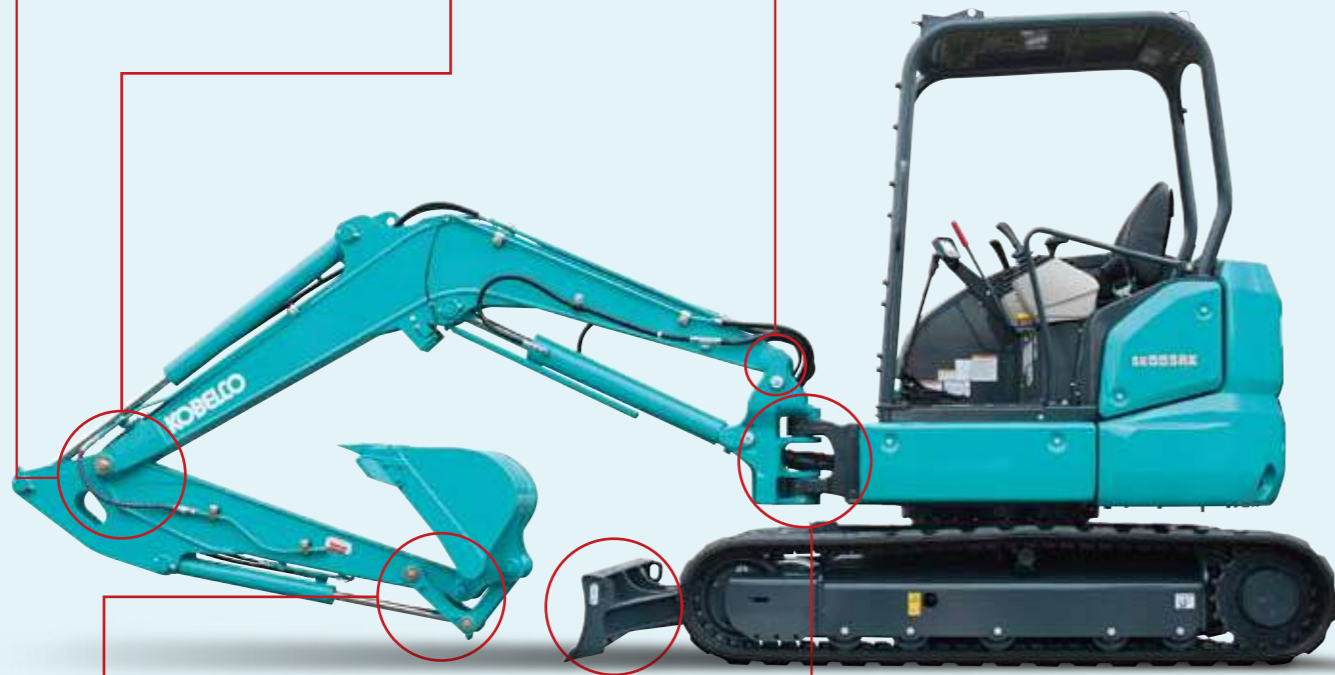
The boom, arm and swing bracket all have large cross-section segments for added attachment strength.

Strong boom and arm

Bolt-tightened pins firmly lock the boom and arm to prevent the boom top from opening laterally.

Forged boom top

Plate type pin



Bucket

Cast-iron idler link provides greater strength.



Dozer

Box construction dozer supports provide greater strength.



Swing bracket

Large, thick cast-iron swing bracket/front bracket.



Hydraulic piping

The hydraulic piping is housed inside the swing bracket.

Accumulator for Emergency Attachment Lowering

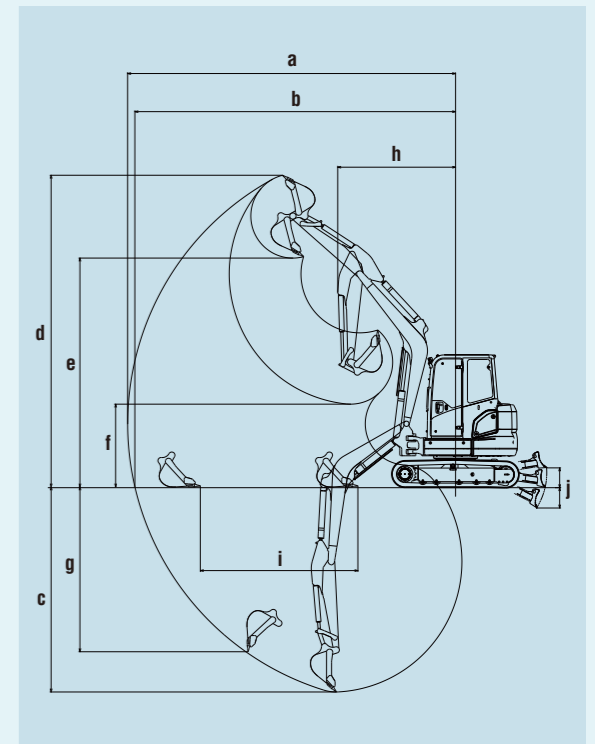
An installed accumulator allows the attachment to be safely lowered to the ground using in-cab controls in the event of an unexpected engine shut-down and class leading smooth operation.



SPECIFICATIONS

GENERAL				SK45SRX		SK55SRX	
MODEL				SK45SRX-6		SK55SRX-6	
Type				Rubber	Steel	Rubber	Steel
Machine Mass	Cab	kg	4,550	4,690	5,020	5,160	
	Canopy	kg	4,430	4,580	4,900	5,040	
Bucket Capacity				0.14		0.16	
Bucket Width (with side cutter)				600		600	
Arm Length				1.55		1.69	
Bucket Digging Force				35.2		35.2	
Arm Crowding Force				20.9		24.6	
ENGINE				YANMAR 3TNV88-B			
Model				Water cooled, 4-cycle, 4-cylinder, direct injection, diesel engine			
Type							
Power Output	(ISO 9249)	kW/min ⁻¹	28.3/2,400		29.6/2,400		
	(ISO 14396)	kW/min ⁻¹	131.1/1,400		132.9/1,400		
Max. Torque	(ISO 9249)	N-m/min ⁻¹	2,189		75		
	(ISO 14396)	N-m/min ⁻¹	55.2		54.9		
Displacement				L		L	
Fuel Tank				L		L	
HYDRAULIC SYSTEM				Two variable displacement pumps + One gear pump			
Pump				2 x 49.9, 1 x 33.8			
Max. Discharge Flow				L/min		23.0	
Relief Valve Setting				MPa		27.9 (57.7)	
Hydraulic Oil Tank (system)				L		L	
TRAVEL SYSTEM				2 x axial-piston, two-step motors			
Travel Motors				Oil disc brake per motor			
Parking Brake				4.0/2.3			
Travel Speed (high/low)				km/h		3.7/2.1	
Gradeability				% (degree)		58 (30)	
Drawbar Pulling Force	Cab	kN	55.2		54.9		
	Canopy	kN	55.2		54.9		
CRAWLER				400			
Shoe Width				mm		mm	
Ground Pressure	Cab	kPa	26.1		28.7		
	Canopy	kPa	25.4		29.7		
DOZER BLADE				1,960 x345			
Width x Height				mm		mm	
Working Ranges (height/depth)				mm		375 x 385	
SWING SYSTEM				Axial piston motor			
Swing Motor				Oil disc brake, hydraulic operated automatically			
Parking Brake				8.8			
Swing Speed				min ⁻¹		1,170	
Tail Swing Radius				mm		mm	
Min. Front Swing Radius	Over the front	mm	2,410		2,250		
	At full boom swing	mm	1,990		1,900		
SIDE DIGGING MECHANISM				Boom swing			
Type				70			
Offset Angle	to the left	degree	70		59		
	to the right	degree	59		70		

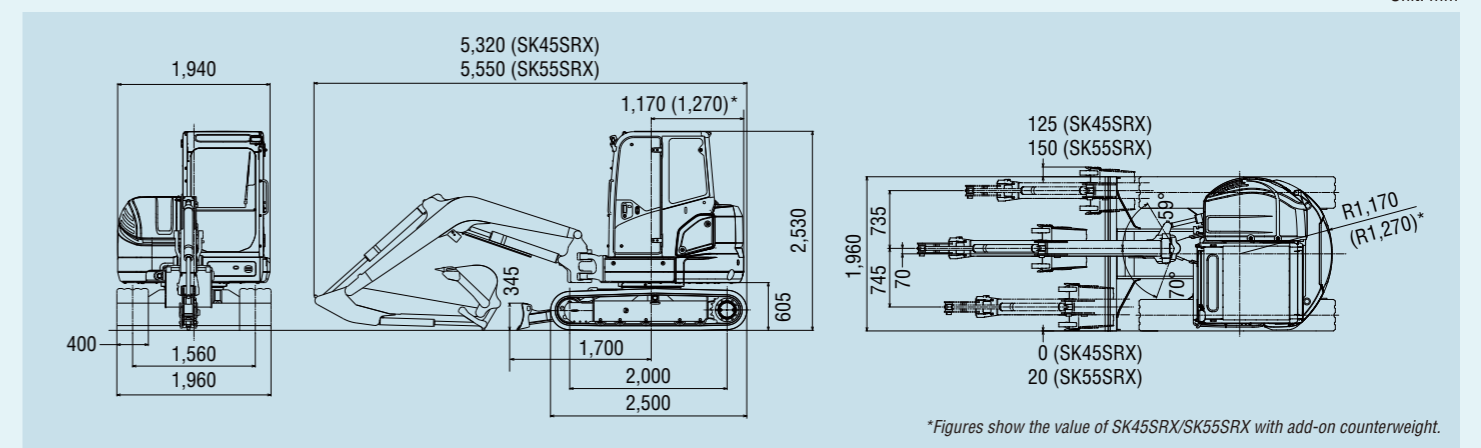
WORKING RANGES



Unit: mm

Model	SK45SRX	SK55SRX
Arm length	1.55 m	1.69 m
a- Max. digging reach	5,900	6,270
b- Max. digging reach at ground level	5,750	6,130
c- Max. digging depth	3,440	3,900
d- Max. digging height	5,790	6,010
e- Max. dumping clearance	4,190	4,420
f- Min. dumping clearance	1,550	1,590
g- Max. vertical wall digging depth	3,000	3,240
h- Min. swing radius	2,410	2,250
i- Horizontal digging stroke at ground level	2,550	2,950
j- Dozer blade (height/depth)	375/385	375/385

GENERAL DIMENSIONS



OPTIONAL EQUIPMENT

- N&B (HCP*) piping
- N&B (foot) piping + Rotating N&B (HCP*)
- N&B (HCP*) piping + Rotating N&B (HCP*)
- ROPS cab with air conditioner
- Radio (only for cab)
- Steel shoe
- Bolt-on Pad shoes (for steel shoes)
- Add-on counterweight (250 kg) + 100 mm tail swing radius
- Boom & arm holding valve
- Wide range of buckets
- Rear view mirror
- Rear under mirror
- BHL lever
- Multi-control valve
- Arm & bucket cylinder cover
- Front guard
- 12 V power source
- Additional light for canopy spec.

*Hand Control Proportional