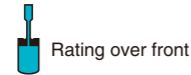
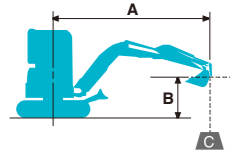


LIFTING CAPACITIES



Rating over front



Rating over side or 360 degrees

A: Reach from swing centerline to bucket hook
 B: Bucket hook height above/below ground
 C: lifting capacities in kilograms
 Shoe: Rubber shoe Dozer blade: Up
 Relief valve setting: 23.0 MPa

SK55SRX Cab		Arm: 1.69 m, Bucket: 0.16 m ³ ISO heaped 110 kg Rubber shoe: 400 mm												
		1.0 m		2.0 m		3.0 m		4.0 m		5.0 m		At Max. Reach		Radius
B		Rating over front		Rating over side or 360 degrees		Rating over front		Rating over side or 360 degrees		Rating over front		Rating over side or 360 degrees		
5.0 m	kg											*940	*940	3.38 m
4.0 m	kg							*840	*840			890	730	4.47 m
3.0 m	kg							*920	890	720	600	700	580	5.07 m
2.0 m	kg					*1,540	1,360	1,040	860	710	590	630	510	5.37 m
1.0 m	kg					1,570	1,250	1,000	810	690	570	600	490	5.43 m
G. L.	kg			*1,160	*1,160	1,510	1,200	960	780	680	560	630	510	5.27 m
-1.0 m	kg	*1,990	*1,990	*2,480	2,410	1,510	1,200	950	770			710	580	4.85 m
-2.0 m	kg	*3,110	*3,110	*3,290	2,470	1,540	1,230	980	790			940	770	4.09 m
-3.0 m	kg			*1,520	*1,520							*1,120	*1,120	2.52 m

SK55SRX Cab		Arm: 1.69 m, Bucket: 0.16 m ³ ISO heaped 110 kg Rubber shoe: 400 mm Add-on Counterweight (250 kg)												
		1.0 m		2.0 m		3.0 m		4.0 m		5.0 m		At Max. Reach		Radius
B		Rating over front		Rating over side or 360 degrees		Rating over front		Rating over side or 360 degrees		Rating over front		Rating over side or 360 degrees		
5.0 m	kg											*940	*940	3.38 m
4.0 m	kg							*840	*840			*910	820	4.47 m
3.0 m	kg							*920	*920	830	690	790	650	5.07 m
2.0 m	kg					*1,540	*1,540	*1,140	980	820	680	700	580	5.37 m
1.0 m	kg					1,780	1,440	1,140	940	800	660	680	560	5.43 m
G. L.	kg			*1,160	*1,160	1,730	1,390	1,110	910	790	650	700	580	5.27 m
-1.0 m	kg	*1,990	*1,990	*2,480	2,480	1,730	1,380	1,100	900			800	660	4.85 m
-2.0 m	kg	*3,110	*3,110	*3,290	2,810	1,760	1,410	1,120	920			1,050	870	4.09 m
-3.0 m	kg			*1,520	*1,520							*1,120	*1,120	2.52 m

SK55SRX Canopy		Arm: 1.69 m, Bucket: 0.16 m ³ ISO heaped 110 kg Rubber shoe: 400 mm												
		1.0 m		2.0 m		3.0 m		4.0 m		5.0 m		At Max. Reach		Radius
B		Rating over front		Rating over side or 360 degrees		Rating over front		Rating over side or 360 degrees		Rating over front		Rating over side or 360 degrees		
5.0 m	kg											*940	*940	3.38 m
4.0 m	kg							*840	*840			860	710	4.47 m
3.0 m	kg							*920	870	700	580	680	560	5.07 m
2.0 m	kg					*1,540	1,320	1,010	830	690	570	600	500	5.37 m
1.0 m	kg					1,520	1,210	960	790	670	550	580	470	5.43 m
G. L.	kg			*1,160	*1,160	1,470	1,170	930	760	660	540	600	490	5.27 m
-1.0 m	kg	*1,990	*1,990	*2,480	2,340	1,460	1,160	920	750			690	560	4.85 m
-2.0 m	kg	*3,110	*3,110	*3,230	2,400	1,490	1,190	940	770			910	740	4.09 m
-3.0 m	kg			*1,520	*1,520							*1,120	*1,120	2.52 m

SK55SRX Canopy		Arm: 1.69 m, Bucket: 0.16 m ³ ISO heaped 110 kg Rubber shoe: 400 mm Add-on Counterweight (250 kg)												
		1.0 m		2.0 m		3.0 m		4.0 m		5.0 m		At Max. Reach		Radius
B		Rating over front		Rating over side or 360 degrees		Rating over front		Rating over side or 360 degrees		Rating over front		Rating over side or 360 degrees		
5.0 m	kg											*940	*940	3.38 m
4.0 m	kg							*840	*840			*910	820	4.47 m
3.0 m	kg							*920	*920	810	670	790	650	5.07 m
2.0 m	kg					*1,540	1,510	*1,140	960	800	660	700	580	5.37 m
1.0 m	kg					1,740	1,400	1,110	910	780	640	680	560	5.43 m
G. L.	kg			*1,160	*1,160	1,680	1,350	1,070	880	760	630	700	580	5.27 m
-1.0 m	kg	*1,990	*1,990	*2,480	*2,480	1,680	1,350	1,070	870			800	660	4.85 m
-2.0 m	kg	*3,110	*3,110	*3,290	2,740	1,710	1,370	1,090	890			1,050	870	4.09 m
-3.0 m	kg			*1,520	*1,520							*1,120	*1,120	2.52 m

- Notes:**
- Do not attempt to lift or hold any load that is greater than these lift capacities at their specified lift point radius and heights. Weight of all accessories must be deducted from the above lift capacities.
 - Lift capacities are based on machine standing on level, firm, and uniform ground. User must make allowance for job conditions such as soft or uneven ground, out of level conditions, side loads, sudden stopping of loads, hazardous conditions, experience of personnel, etc.
 - Bucket lift hook defined as lift point.
 - The above lifting capacities are in compliance with ISO 10567. They do not exceed 87% of hydraulic lifting capacity or 75% of tipping load. Lifting capacities marked with an asterisk (*) are limited by hydraulic capacity rather than tipping load.
 - Operator should be fully acquainted with the Operator's and Maintenance Instructions before operating this machine. Rules for safe operation of equipment should be adhered to at all times.
 - Lift capacities apply to only machine as originally manufactured and normally equipped by KOBELCO CONSTRUCTION MACHINERY CO., LTD.

Note: This catalog may contain attachments and optional equipment that are not available in your area. And it may contain photographs of machines with specifications that differ from those of machines sold in your areas. Please consult your nearest KOBELCO distributor for those items you require. Due to our policy of continuous product improvements all designs and specifications are subject to change without advance notice. Copyright by KOBELCO CONSTRUCTION MACHINERY CO., LTD. No part of this catalog may be reproduced in any manner without notice.

KOBELCO CONSTRUCTION MACHINERY CO., LTD.

17-1, Higashigotanda 2-chome, Shinagawa-ku, Tokyo 141-8626 JAPAN
 Tel: +81 (0) 3-5789-2146 Fax: +81 (0) 3-5789-2135
www.kobelco-kenki.co.jp/english_index.html

Inquiries To:

KOBELCO

SK55SRX-6

MINI EXCAVATOR SK55SRX



We Save You Fuel
 Achieving a Low-Carbon Society

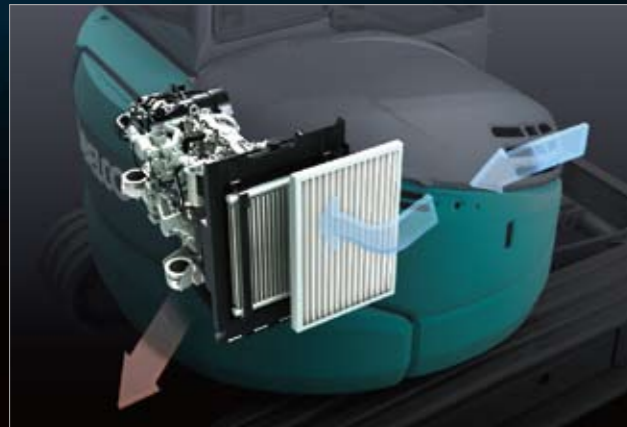
Full-Size Performance, Short-Radius Agility and Quiet Operation

COMPACT YET TOUGH MINI

Now KOBELCO has taken the next evolutionary step by packing even more digging power and practical performance features into the SK55SRX while maintaining a short tail swing. The new Energy Conservation Mode saves even more fuel, and Kobelco's proprietary iNDr Cooling System ensures quiet operation, protection from dust, and easy maintenance. For greater operator comfort and safety, the rectangular cab design offers plenty of room and an unobstructed view. It all adds up to enhanced full-size performance, short-radius agility and a low-noise environment, with exceptional performance features and a full range of value-added functions.



The highly airtight engine compartment and the offset duct contribute to noise reduction. The iNDr filter fitted in front of the cooling system ensures easy cleaning. The iNDr system on the SK55SRX features air intake at the front of the machine and air exhaust underneath. It function in the same way as the iNDr System on the SR series machines.

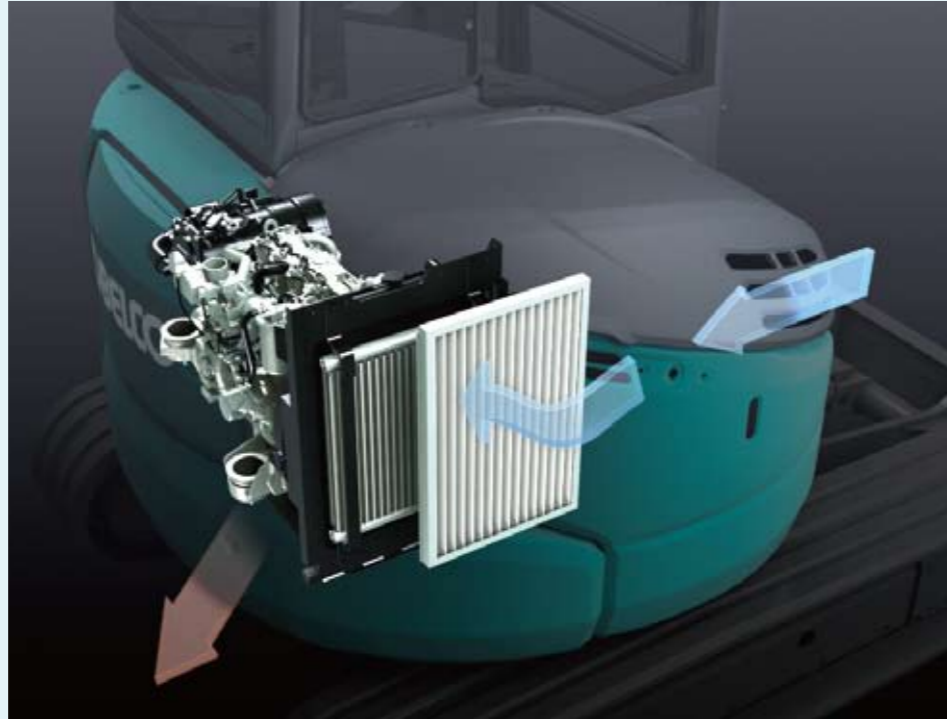


iNDr Cooling System

The Revolutionary Integrated Noise and Dust Reduction Cooling System



The highly airtight engine compartment and the offset duct contribute to noise reduction. The iNDr filter fitted in front of the cooling system ensures easy cleaning. The iNDr system on the SK55SRX features air intake at the front of the machine and air exhaust underneath. It function in the same way as the iNDr System on the SR series machines.



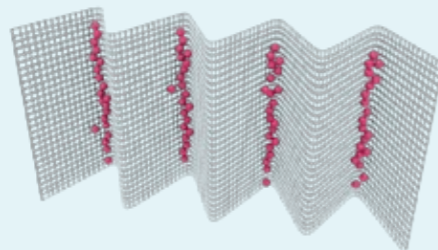
Visual Checking and Easy Cleaning

Because the iNDr filter removes dust from the intake air, cooling components stay dirt-free and do not require regular cleaning. The iNDr filter itself can be easily removed and cleaned without the use of tools.



iNDr Filter

The stainless-steel filter is extremely effective against dust, with 30-mesh wave-type screen that removes tiny dust particles from the intake air.



•30-mesh means that there are 30 holes formed by horizontal and vertical wires in every square inch of filter.

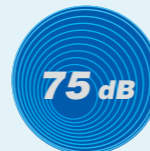
iNDr Filter Blocks Out Dust

Outside air goes directly from the intake duct through the iNDr filter for dust removal.



Ultimate Low Noise

KOBELCO's exclusive iNDr Cooling System delivers amazingly quiet operation. In fact, the SK55SRX is 9 dB quieter than the previous models.

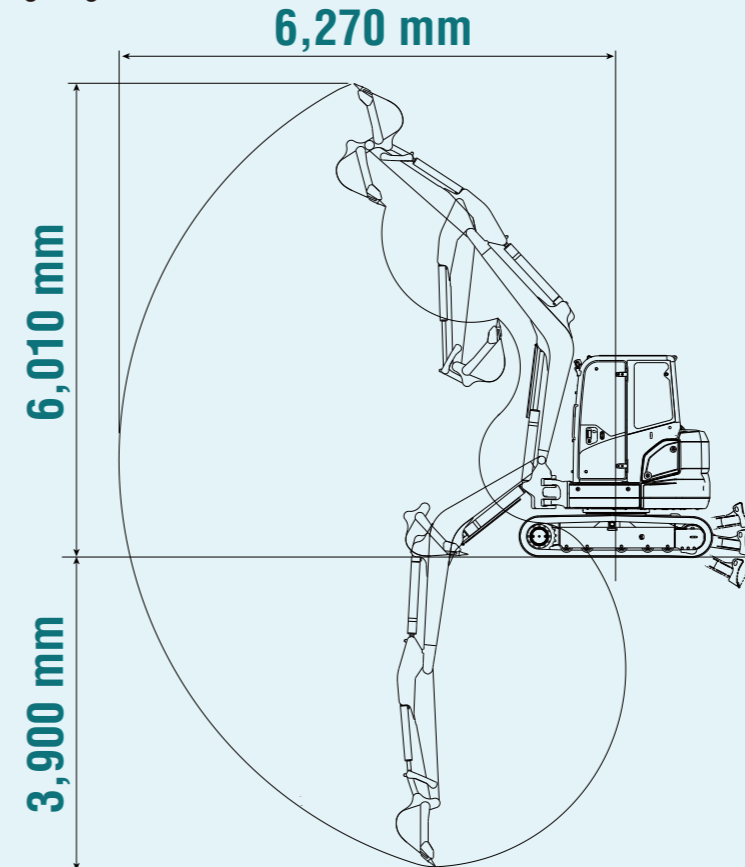


at 1 m backward from machine rearend and 1.5 m height from ground level.

Compact, yet, Big Performance

Wide Working Range

A larger boom and arm are provided as standard equipment to ensure a wider working range.



Short Tail Swing

The compact tail swing improves operating efficiency in limited space.



*Figures show the value with add-on counterweight.

Energy Conservation Mode

The SK55SRX adapts S mode which enables 23 % less fuel consumption compared with the previous model.



One Touch Deceleration

The SK55SRX features one-touch deceleration. It allows easy switching to an idling state, reducing the fuel consumption while the machine is at rest.



Easy Transportability

With an overall height of 2,530 mm, the machine is designed for easy transport.



PERFORMANCE

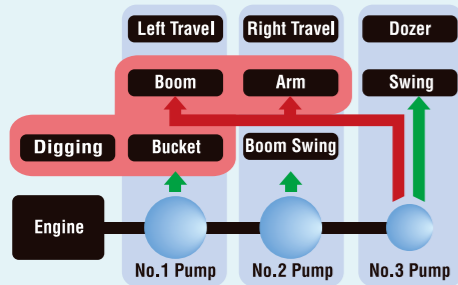
Fast, Full-Powered Digging and Leveling

Powerful Digging Performance



Integrated-Flow Pump System

The instant the machine begins to dig, extra output from the third pump (which otherwise powers the swing and dozer circuit) is directed to the arm circuit and boom circuit (raise) for added power. This ensures fast and smooth arm and boom raising operation even under heavy loads.



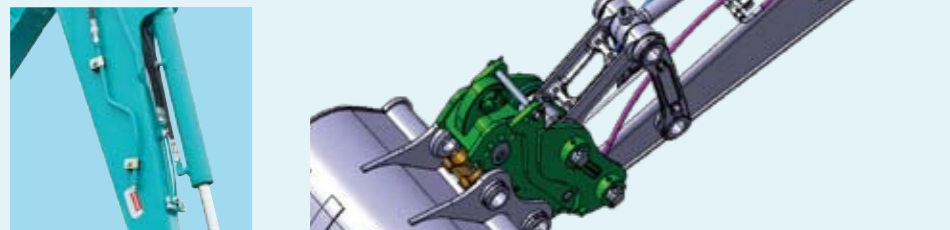
Large Capacity Engine

The large-capacity engine packs plenty power for outstanding hydraulic performance.



Easy Hydraulic Piping for Quick Hitch

Quick Hitch is available as option. Piping for Quick Hitch is fitted as standard.



More Travel Power

Large Capacity Travel Torque

The large capacity travel torque enables the machine to perform spin turn in low mode even when the dozer is pushing a heavy load.

Automatic Two-Speed Travel

An automatic shift function ensures smoother, more efficient travel on worksite. When the High mode is selected, the travel system will automatically shift to Low mode whenever the load or climbing grades requires more power.

Travel Switch

The travel lever is fitted with a button for easy switching to H-Mode travel.



Powerful and Efficient Dozer Performance

Dozer-Blade Shape

KOBELCO's unique blade design solves this problem by forming the earth into an arc that always falls forward. Because this prevents earth from falling behind the blade, only "one pass" is needed.



Hydraulic Pilot-Controlled Dozer Operation Lever



The dozer lever features hydraulic pilot control for precise handling.

MAINTENANCE

Easy Daily Maintenance

Start-up checks are essential for safe and reliable machine operation. All start-up checks can be performed at ground level, with an easy-to-understand layout and cover design that simplify access and save time.

Easy Access to Component Under the Seat



Two-piece floor mats for easy washing



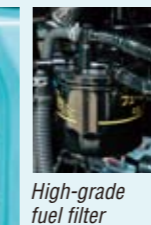
Hour meter



Easy Access to Cooling Unit



Easy Access to Engine Compartment



High-grade fuel filter



Pre fuel filter with built-in water separator



Air cleaner



Fuel tank

COMFORT

Comfortable Work Environment

Spacious Work Environment

The newly designed, rectangular cab is over 820 mm wide, with optimized control layout for comfortable, easy operation. A greater window area further improves visibility. A clear view is provided at the rear, and there's also more floor space, with a seat that slides further to ensure plenty of leg room.



Seat in photo shows US spec.

Easy Access

A wide-opening door and a left-hand tilting control console with safety lever that rises high, make it easy for operators to enter and exit the cab.



Work Lights



Work lights have been added on both sides to provide a clear view during nighttime operations.

Skylight



Control Lever

Precise proportional controls (optional) are integrated into the joystick for ease of operation.



Pattern Changer

Pattern changer allows for increased utilization and flexibility to match operator preference.

Pattern Changer is standard fitting for Australia.
Another pattern changer is provided for New Zealand.

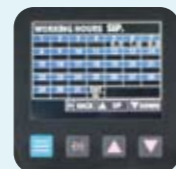


Color Liquid Crystal Monitor

The color liquid crystal monitor is fitted as standard. Operation data as well as the full range of machine-status data can readily be checked.



Maintenance



Working hours

Comfortable Operating Environment

Hammer for emergency exit



Climate control

The climate control system is located down and to the right of the seat, keeping the rear view clear.



Vents to send cooled air toward the operator if he desires.



Seat in photo shows US spec.

Opening/closing front window

The front window features gas damper cylinders for smooth and easy opening and closing.



Coat hook



Room light



Two-speaker FM/AM radio with station select (optional)



Operator Safety

Reliable Cab/Canopy Structure

The high-strength cab/canopy meets ROPS and TOP GUARD LEVEL 1 standards for greater operator safety.



RELIABILITY

Reliable Construction

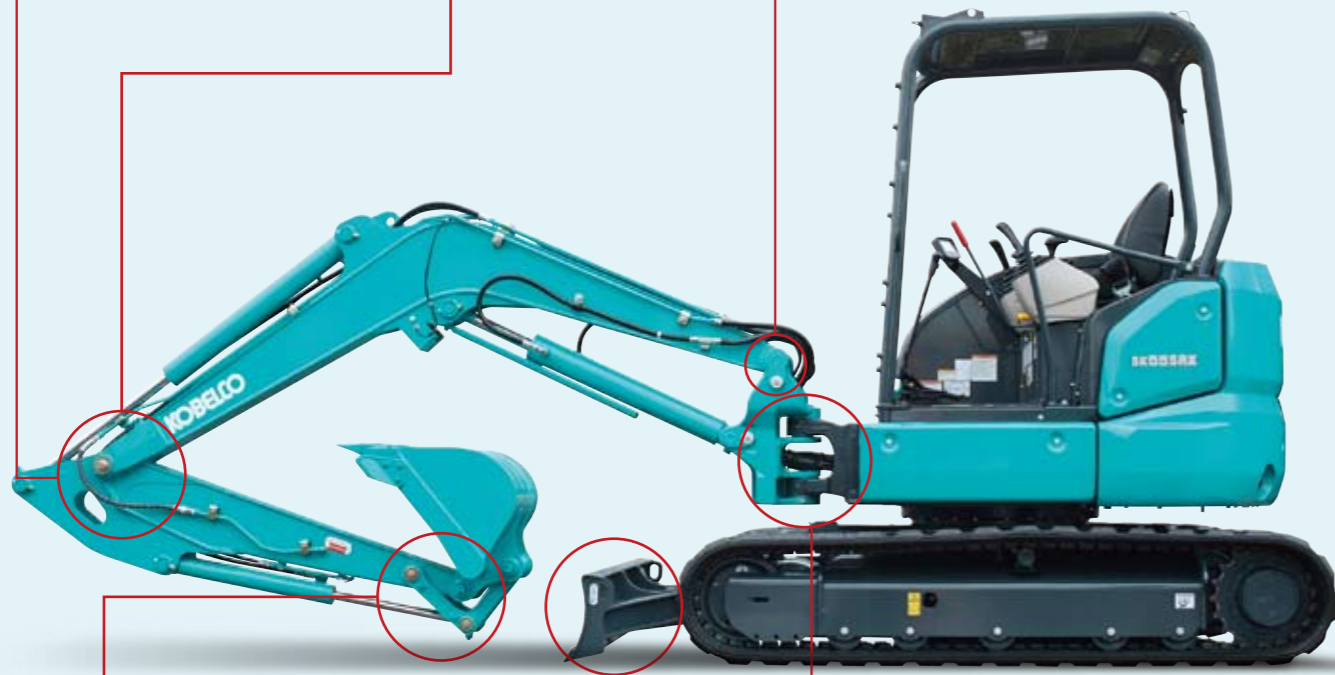
The boom, arm and swing bracket all have large cross-section segments for added attachment strength.

Strong boom and arm

Bolt-tightened pins firmly lock the boom and arm to prevent the boom top from opening laterally.

Forged boom top

Plate type pin



Bucket

Cast-iron idler link provide greater strength.

Dozer

Box construction dozer supports provide greater strength.

Swing bracket

Large, thick cast-iron swing bracket/front bracket.

Hydraulic piping

The hydraulic piping is housed inside the swing bracket.

Accumulator for Emergency Attachment Lowering

An installed accumulator allows the attachment to be safely lowered to the ground using in-cab controls in the event of an unexpected engine shut-down and class leading smooth operation.

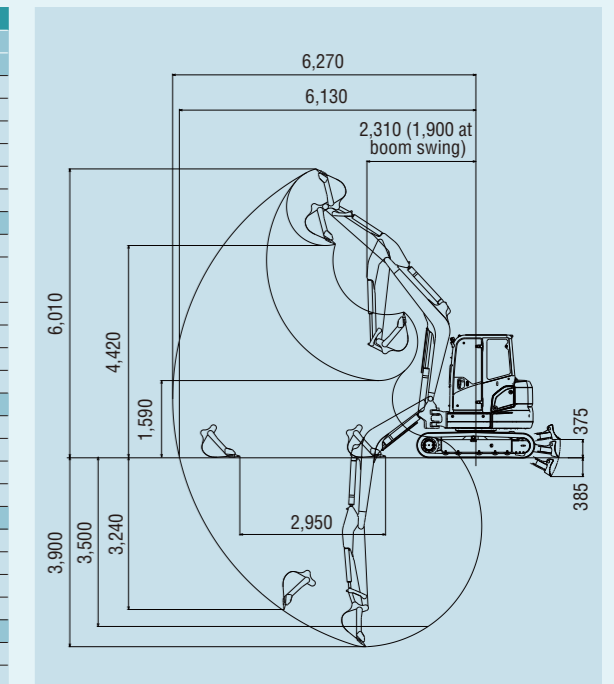


SPECIFICATIONS

GENERAL		SK55SRX	
MODEL		SK55SRX-6	
Type		Rubber	Steel
Machine Mass	Cab	kg	5,020
	Canopy	kg	4,900
Bucket Capacity	m ³	0.16	
Bucket Digging Force	kN	35.2	
Arm Crowding Force	kN	24.6	
ENGINE		YANMAR 4TNV88-B	
Model		YANMAR 4TNV88-B	
Type		Water cooled, 4-cylce, 4-cylinder, direct injection, diesel engine	
Power Output	kW/rpm	28.3/2,400	
Max. Torque	N·m/min ⁻¹	131.1/1,400	
Displacement	L	2.189	
Fuel Tank	L	75	
HYDRAULIC SYSTEM		Two variable displacement pumps + one gear pump	
Max. Discharge Flow	L/min	2 x 49.9, 1 x 33.8	
Relief Valve Setting	MPa	23.0	
Hydraulic Oil Tank (system)	L	27.9 (57.7)	
TRAVEL SYSTEM		2 x axial-piston, two-step motors	
Parking Brake		Oil disc brake per motor	
Travel Speed (high/low)	km/h	4.0/2.3	3.7/2.1
Drawbar Pulling Force	kN	54.9	
CRAWLER		400	
Shoe Width	mm	400	
Ground Pressure	Cab	kPa	28.7
	Canopy	kPa	28.0
DOZER BLADE		1,960 x 345	
Width x Height	mm	1,960 x 345	
Working Ranges (height/depth)	mm	375 x 385	
SWING SYSTEM		Axial piston motor	
Swing Motor		Oil disc brake, hydraulic operated automatically	
Parking Brake		8.8	
Swing Speed	rpm	8.8	
Tail Swing Radius	mm	1,170	
Min. Front Swing Radius	Over the front	Cab	mm
		Canopy	mm
	At full boom swing	Cab	mm
		Canopy	mm
SIDE DIGGING MECHANISM		Boom swing	
Type		70	
Offset Angle	To the left	degree	70
	To the right	degree	59

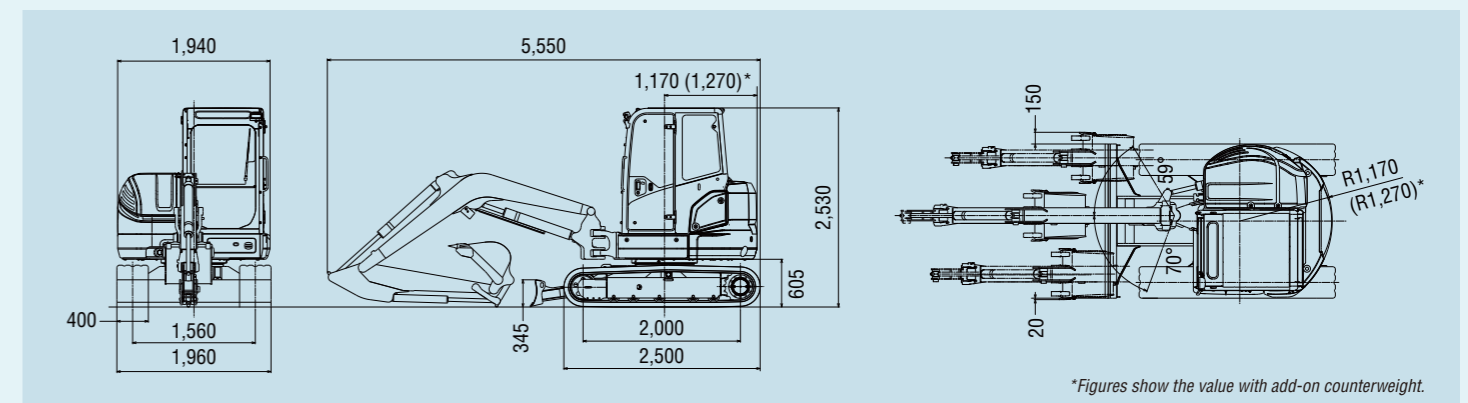
WORKING RANGES

Unit: mm



GENERAL DIMENSIONS

Unit: mm



*Figures show the value with add-on counterweight.

OPTIONAL EQUIPMENT

- N&B (HCP*) piping
- N&B (foot) piping + Rotating N&B (HCP*)
- N&B (HCP*) piping + Rotating N&B (HCP*)
- ROPS cab with air conditioner
- Radio (only for cab)
- Steel shoe
- Bolt-on Pad shoes (for steel shoes)
- Add-on counterweight (250 kg)
- Boom & arm holding valve
- Wide range of buckets
- Quick Hitch
- Rear view mirror
- Rear under mirror

*Hand Control Proportional